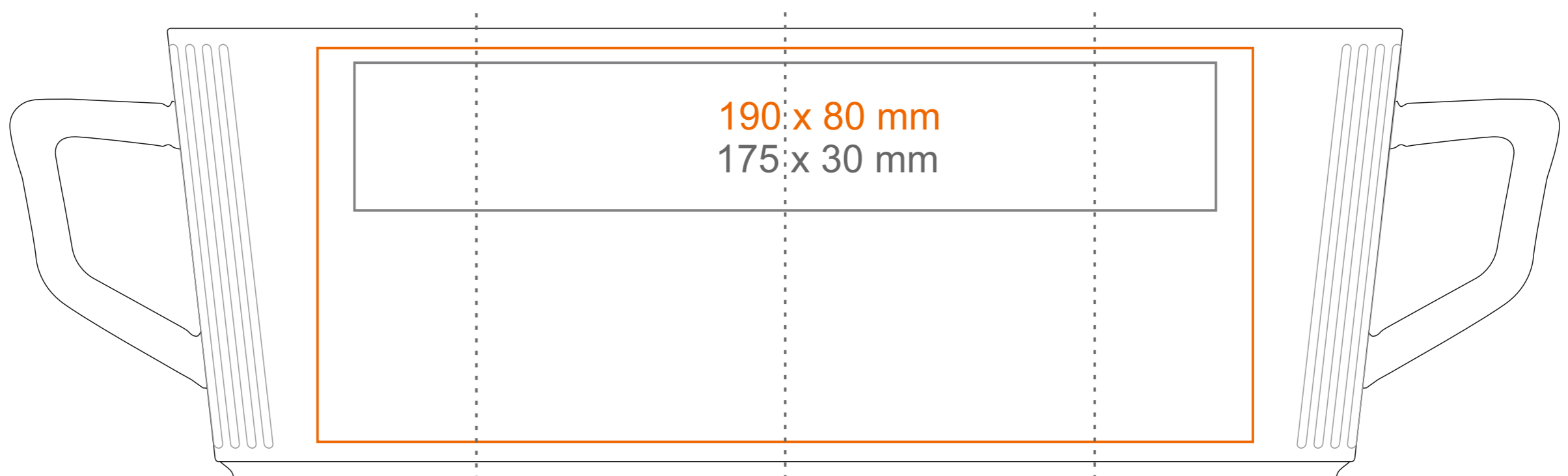
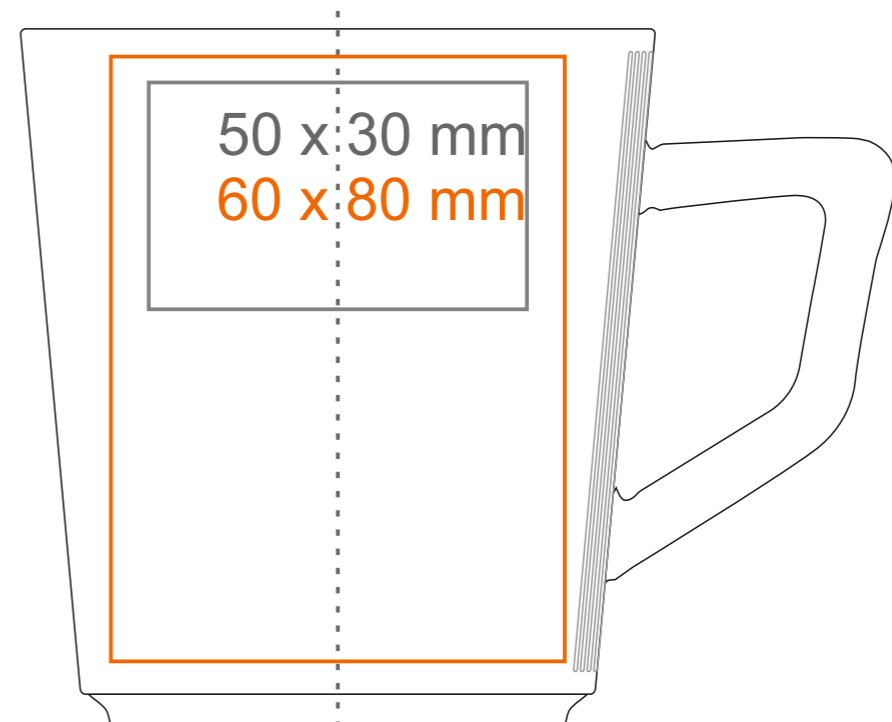
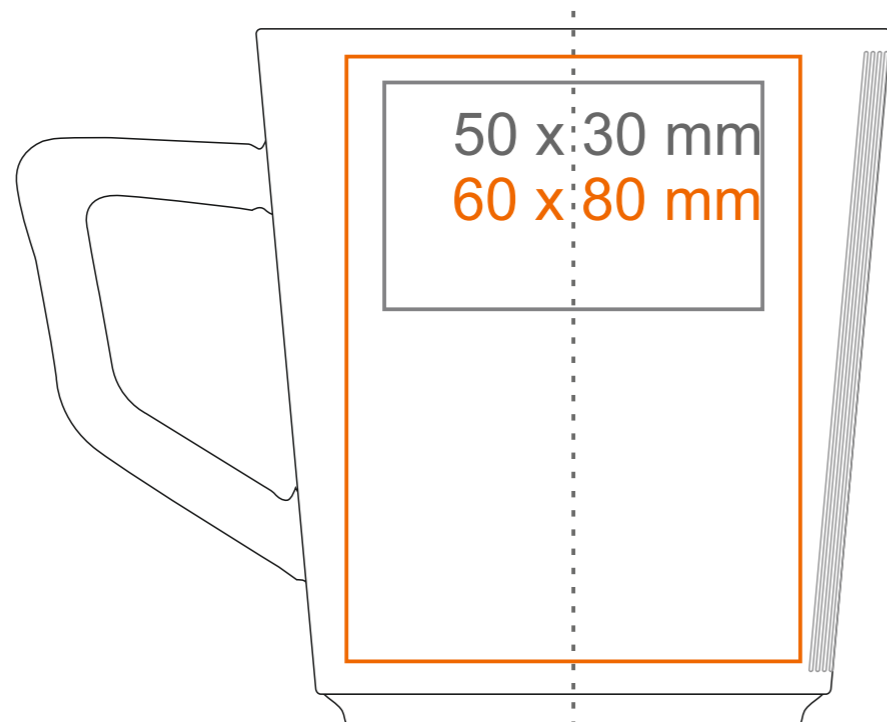


M554 GROOVE

280 ml / h: 92 mm / Ø 84 mm



Imprint on the handle
 Imprint on the inside
 Imprint on the bottom inside
 Imprint on the bottom outside

50 x 9 mm
 40 x 20 mm
 Ø 35 mm
 Ø 42 mm

*In the case of projects for transfer print running outside of the standard print area, please contact our sales department.

[How to prepare print material](#)

meaning

— Transfer Print
 — Sensitive Touch
 — Direct Print